

# POWER-XTRA

Model : Power-Xtra CR2450 3V Lithium Battery (Pins/Vertical) - 1T01 Ver: A0

NO: 900.600.503.266

## PX-CR2450-1T01

### Battery Spec

Model: PX-CR2450-1T01

Stock Code: 900.600.503.266

Cell Type: CR2450 p

Nominal Voltage: 3.0V

Capacity: 540mAh

Draft	To examine	Approved	Customer Confirmation
Dora	Peter		

#### 1. Basic Information

Cell Type: CR2450 (Made in China)

Cell configuration:b1P1S

Voltage Nominal: 3.0V

Capacity Nominal: 540mAh

# POWER-XTRA

Model : Power-Xtra CR2450 3V Lithium Battery (Pins/Vertical) - 1T01 Ver: A0

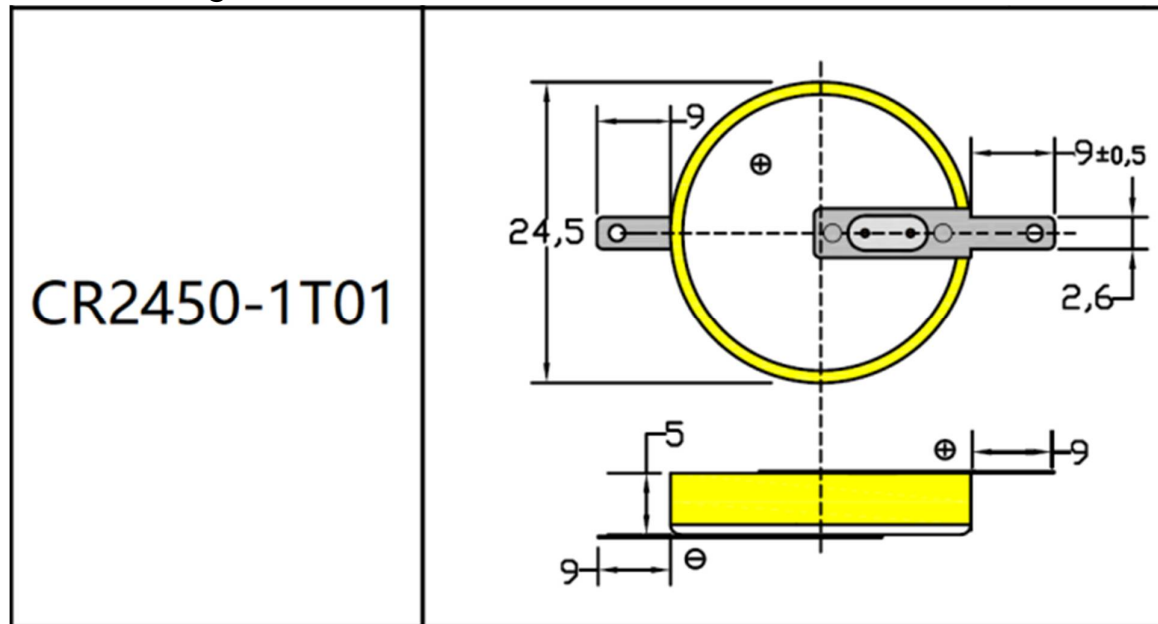
NO: 900.600.503.266

## 2. Mechanical Drawings

### 2.1. Sample Picture

T.B.D.

### 2.2. Drawing of Outline



Battery cell/	CR2450
PVC /color	Yellow/
Weld spot/	2 spots per pole/正/ 2 点
Thickness of tab/	Existing /
Inner packing/	B: Sealed thermal shrinkage; Each box labeled quantity