

POWER-XTRA

Model : Power-Xtra CR2430-1F01 2 Pin 3V Lithium Battery (Virtual)

Ver:1.0

NO: 900.600.503.217

PX-CR2430-1F01 Battery Spec

电池规格书

Model :

型号:

PX-CR2430-1F01

Customer P/N:

客户型号 :

Cell Type :

电芯 :

CR2430

Nominal Voltage:

标称电压:

3.0V

Capacity:

容量:

300mAh

POWER-XTRA

Model : Power-Xtra CR2430-1F01 2 Pin 3V Lithium Battery (Virtual)

Ver:1.0

NO: 900.600.503.217

Draft 起草	Approved 批准	Customer Confirmation 客户确认
Peter	Chun Qi Zeng	

POWER-XTRA

Model : Power-Xtra CR2430-1F01 2 Pin 3V Lithium Battery (Virtual)

Ver:1.0

NO: 900.600.503.217

1. Basic Information 基本信息

Cell Type 电芯: CR2430 (Made in China)

Cell configuration 电芯配置: 1P1S 一并一串

Voltage Nominal 标称电压: 3.0V

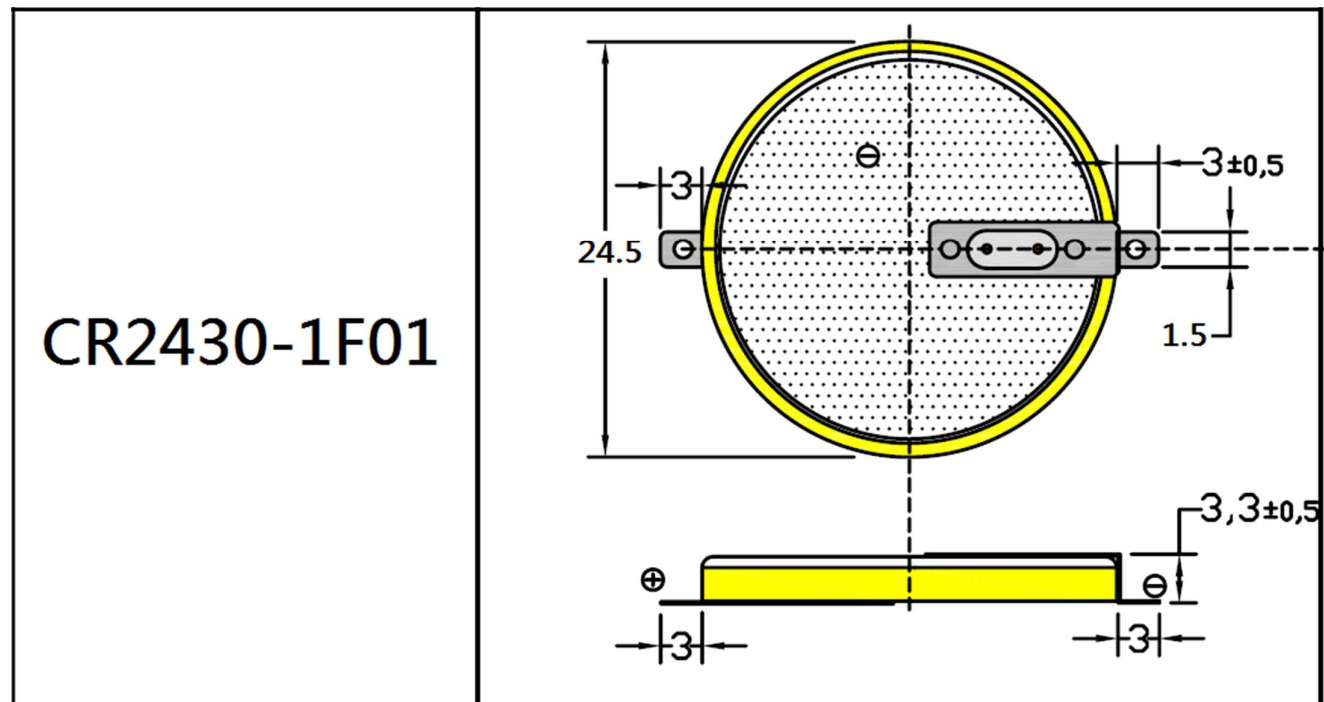
Capacity Nominal 标称容量: 300mAh(Discharge load 15k Ω , Temperature 20 \pm 2 $^{\circ}$ C.)

2. Mechanical Drawings 结构图

4.1. Sample Picture 样品照

T.B.D.

4.2. Drawing of Outline 外框图



POWER-XTRA

Model : Power-Xtra CR2430-1F01 2 Pin 3V Lithium Battery (Virtual)

Ver:1.0

NO: 900.600.503.217

Battery cell/电芯	CR2430
PVC 颜色 /color	Yellow/黄色
Weld spot/焊点数量	2 spots per pole/正/负极各 2 点
Thickness of tab/焊片厚度	Existing /现有焊片
Inner packing/ 内包装标准	Sealed thermal shrinkage; Each box labeled quantity/加纸板，密封热缩；每包/箱标签注明数量
Outer packing/ 外包装重量	Neutral packaging, not over 10kg per carton/中性包装（不带任何 Logo）,每箱不超 10kg

POWER-XTRA

Model : Power-Xtra CR2430-1F01 2 Pin 3V Lithium Battery (Virtual)

Ver:1.0

NO: 900.600.503.217

3. Packing 包装

每箱不超 10KG; 定制纸箱或中性纸箱, 贴箱唛;

箱唛格式如下:

唛头

贴于纸箱正/背两面, 唛头尺寸 200*70mm (唛头尺寸视情况而定):

The logo for POWER-XTRA, featuring the word 'POWER' in a bold, black, sans-serif font, followed by a stylized flame icon in orange and yellow, and then '-XTRA' in a bold, black, sans-serif font. The entire logo is enclosed in a thin black rectangular border.

侧唛

贴于纸箱正/背两侧, 侧唛尺寸 130*100mm (侧唛尺寸视情况而定):

