

# POWER-XTRA

Model : Power-Xtra PX305060 900 mAh Li-Polymer Battery

Ver:1.0

NO: 900.869.503.067

## Product Specification (产品技术规格)

No.	Item	General Parameter		Remark
1	Rated Capacity (额定容量)	Typical	900mAh	Standard discharge (0.2C C <sub>5</sub> A) after Standard charge (标准充电后 0.2C <sub>5</sub> A 标准放电)
		Minimum	880mAh	
2	Nominal Voltage (正常电压)	3.7V		Mean Operation Voltage (即工作电压)
3	Voltage at end of Discharge (放电终止电压)	2.75V		Discharge Cut-off Voltage (放电截止电压)
4	Charging Voltage (充电电压)	4.2±0.03V		
5	Internal Impedance (内阻)	≤150mΩ		Internal resistance measured at AC 1KHz after 50% charge (半电态下用交流法测量内阻) The measure must uses the new batteries that within one week after shipment and cycles less than 5 times (使用出货后不到一个星期及循环次 数少于 5 次的新电池测量)
6	Standard charge (标准充电)	Constant Current 0.5C <sub>5</sub> A Constant Voltage 4.2V 0.01 C <sub>5</sub> A cut-off (持续电流: 0.5C <sub>5</sub> A 持续电压: 4.2V 截止电流: 0.01 C <sub>5</sub> A)		Charge time : Approx 4.0h (充电时间: 大约 4 个小时)
7	Standard discharge (标准放电)	Constant current 0.2 C <sub>5</sub> A end voltage 2.75V (持续电流: 0.2C <sub>5</sub> A 截止电压: 2.75V)		
8	Fast charge (快速充电)	Constant Current 1C <sub>5</sub> A Constant Voltage 4.2V 0.01 C <sub>5</sub> A cut-off (持续电流: 1C <sub>5</sub> A 持续电压: 4.2V 截止电流: 0.01 C <sub>5</sub> A)		Charge time : Approx 2.5h (充电时间: 大约 2.5 个小时)

# POWER-XTRA

Model : Power-Xtra PX305060 900 mAh Li-Polymer Battery

Ver:1.0

NO: 900.869.503.067

Continuous the table 1 (续表 1)

No.	Item	General Parameter	Remark
9	Fast discharge	Constant current 1 C <sub>5</sub> A end voltage 2.75V	
10	Maximum Continuous Charge Current (最大充电持续电流)	1.5C <sub>5</sub> A	1.35A
11	Maximum Continuous Discharge Current (最大放电持续电流)	1.5C <sub>5</sub> A	1.35A
12	Operation Temperature Range (工作温度范围)	Charge (充电) : 0~45°C	60±25%R.H. Bare Cell (单体电池储存湿度范围)
		Discharge (放电) : -20~60°C	
13	Storage Temperature Range (储存温度范围)	Less than 1 year: -20~25°C (小于一年: -20~25°C)	60±25%R.H. at the shipment state (出货状态时的湿度范围)
		less than 3 months: -20~40°C (小于3个月: -20~40°C)	
14	Pack Dimension (包装后尺寸)	Height: Max 60.5mm (高度: 最大 60.5 mm)	Initial Dimension (初始尺寸)
		Width: Max 50.5 mm (宽度: 最大 50.5 mm)	
		Thickness: Max 3.02mm (厚度: 最大 3.02mm)	

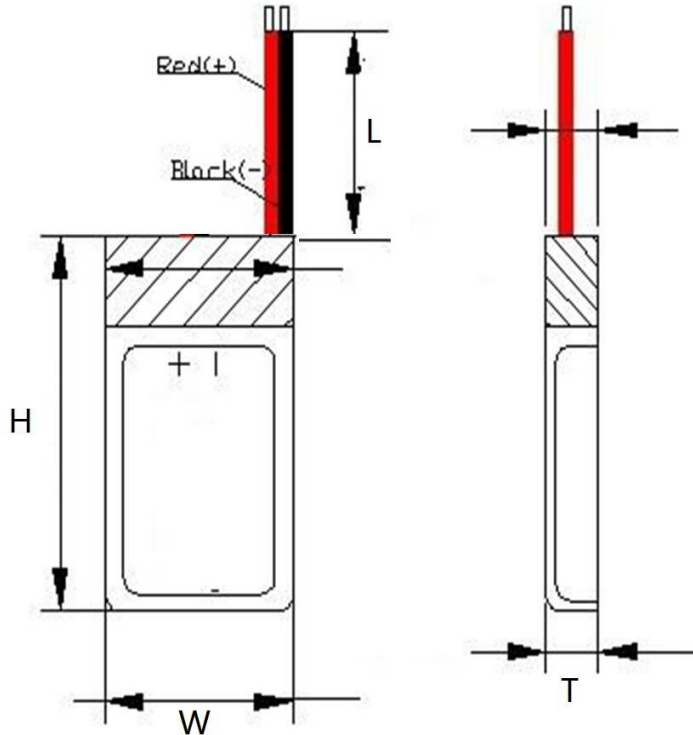
# POWER-XTRA

Model : Power-Xtra PX305060 900 mAh Li-Polymer Battery

Ver:1.0

NO: 900.869.503.067

Initial Dimension: (初始尺寸)



Units (单位)		mm	PCB (保护板)		IC DW01 / MOS 8205A*1	
Wire(引线)	1007/24#		L(线长)	100±2	L1 (剥线)	1.0-2.0
T (厚度)	3.0 <sup>+0.2</sup> <sub>-0.2</sub>		W (宽度)	50.0 <sup>+0.5</sup> <sub>-0.5</sub>	H (高度)	60.0 <sup>+1.5</sup> <sub>-1.5</sub>
Drawer (绘图)		Checked (审核)		Approved (批准)		Date (日期)
			PL305060 DRAWING			
			Drawing ID (图号)			