

Power-Xtra CR2032-12MM - 3V Lithium - 3 Pins - Horizontal

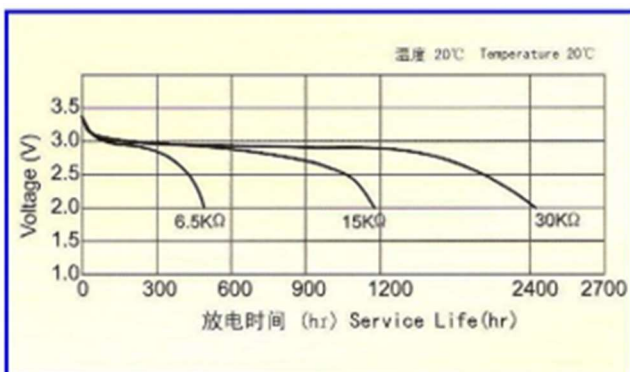
SPECIFICATIONS OF SINGLE CELL

Type	Li-MnO ₂ Buton with Pins
Stock Code	900.600.503.203
Model	CR2032, CR-2032, PX-CR2032-12MM

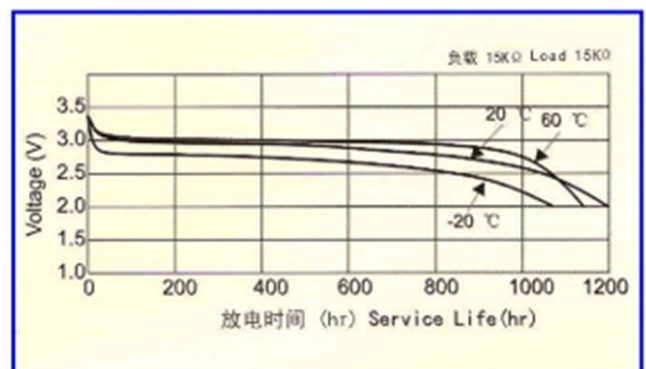
TECHNICAL INFORMATIONS

Item	Specifications	Conditions
Nominal Voltage	3.0V	
Typical Capacity	210 mAh	Standard discharge with load 15k Ω
Instantaneous short-circuit current	≥ 250 mA	Time ≤ 0.5 second
Off-load voltage	≥ 3.20 V	No load
Service Output - Initial	1132 h	Continuous discharge with load 15k Ω , till 2.0v end-voltage, Temperature 20 \pm 2 $^{\circ}$ C, under the condition of related humidity $\leq 75\%$ RH
Service Output - After 12 months storage	1110 h	
Typical Weight	2.75 gr	
Recommended Storage Temperature Range	20+/-2 $^{\circ}$ C	5 years after delivery under proper storage conditions.
Recommended Operation Temperature Range	-20 $^{\circ}$ C to 60 $^{\circ}$ C	
Shelf Life	3-5 Years	Recommended Storage Range : 20+/-2 $^{\circ}$ C Recommended Humidity Range : 65+/-20%RH

Discharge Characteristics

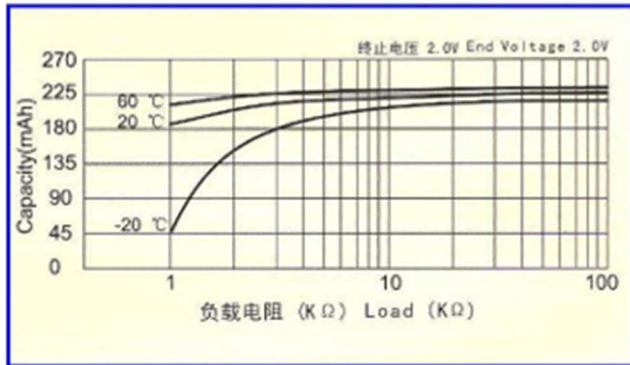


Temperature Characteristics

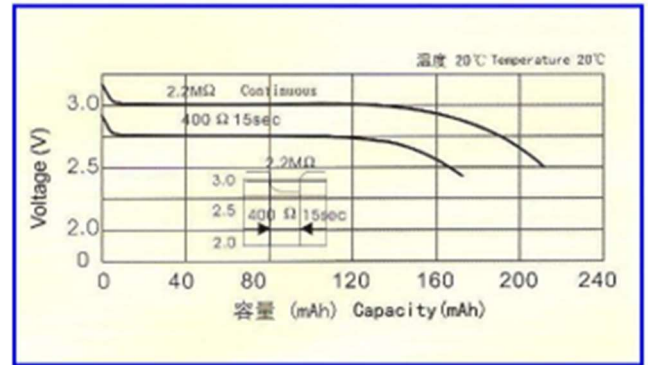


Power-Xtra CR2032-12MM - 3V Lithium - 3 Pins - Horizontal

Load Capacity



Pulse Discharge Characteristics


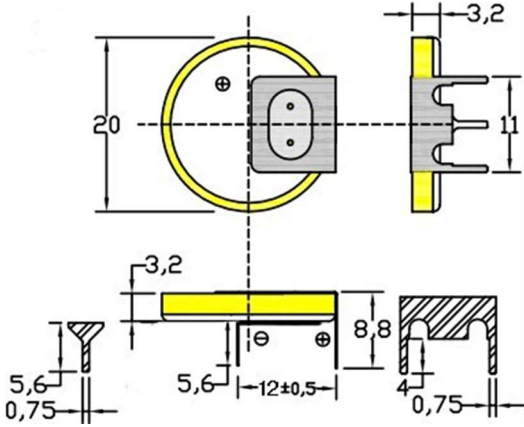


TECHNICAL INFORMATION

Item	Test Methods	STANDARD	
		Parameter	Value
Dimension	Using vernier caliper (accuracy \geq 0.02) while avoiding short-circuit	Diameter	20.0 (-0.2) mm
		Height	3.2 (\pm 0.1) mm
Off-load voltage	Using multimeter (accuracy \geq 0.25%) internal resistance \geq 1M Ω		\geq 3.20v
Instantaneous short-circuit current	Time of short-circuit should be less than 0.5 second and avoid repeated test within half an hour		\geq 250 mA
Appearance	Eyeballing		Bright, clean, no rust, no leakage, And no flaw
Capacity	Continuously discharge for with load 15k Ω , temperature at 20~25°C, humidity at 65 \pm 20% till 2.0v end-voltage (for fresh battery only: within 3 months)		\geq 1132 h
Vibration test	Put battery on the platform of the vibrations machine, start the machine and adjust the frequency form 10 times per minute to 15 times per minute. keep it running for an hour		Characteristics keep stability
Leakage at high temperature test	Stored under temperature (50°C) for 10 days		No leakage allowed
Over discharge Test	After 2.0v end-voltage, continuously discharged for 5 hours		No leakage allowed

Power-Xtra CR2032-12MM - 3V Lithium - 3 Pins - Horizontal

Image and Technical Drawings

Image	Technical Drawing	STANDARD	
		Diameter	20.0 (-0.2) mm
		Height	3.2 (±0.1) mm