

POWER-XTRA

Model : Power-Xtra CR3032 2 Pin (119) Lithium Battery

Ver:A1

NO: 900.600.503.137

PX-CR3032-1F2 Battery Spec

Model: PX-CR3032-1F2

Stock Code: 900.600.503.137

Cell Type: CR3032

Nominal Voltage: 3.0V

Capacity: 580mAh

Draft	Checking	Approved	Customer Confirmation
Peter	Chun Qi Zeng		

POWER-XTRA

Model : Power-Xtra CR3032 2 Pin (119) Lithium Battery

Ver:A1

NO: 900.600.503.137

1. Basic Information

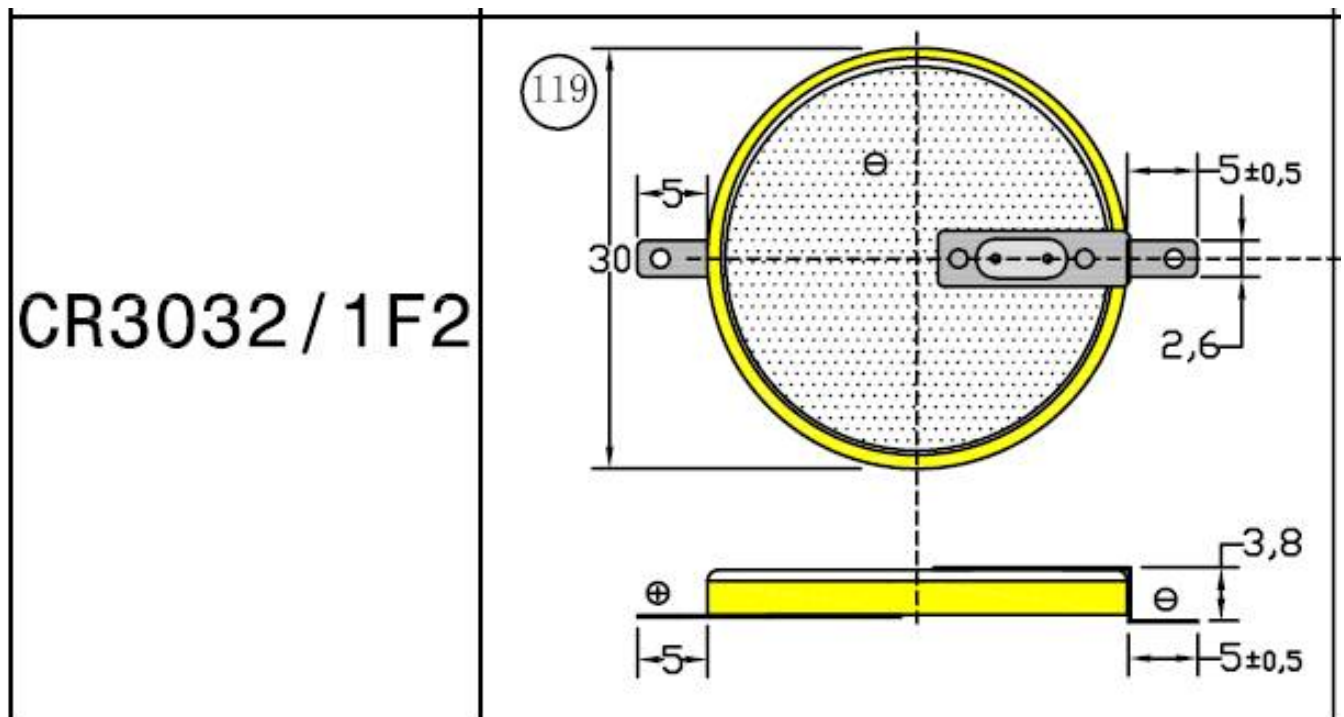
Cell Type: CR3032 (Made in China)
Cell configuration: 1P1S
Voltage Nominal: 3.0V
Capacity Nominal: 580mAh(Discharge load 7.5k Ω , Temperature 20 \pm 2 $^{\circ}$ C.)

2. Mechanical Drawings

4.1. Sample Picture

T.B.D.

4.2. Drawing of Outline



Battery cell/	CR3032
PVC /color	Yellow
Weld spot	2 spots per pole
Thickness of tab	Existing
Inner packing	B: Sealed thermal shrinkage; Each box labeled quantity

POWER-XTRA

Model : Power-Xtra CR3032 2 Pin (119) Lithium Battery

Ver:A1

NO: 900.600.503.137

4.3. Packing

托盘整齐摆放，加纸板吸塑（B包装），内置防潮袋，每箱不超 10KG，客户定制 Logo 外箱；外箱 Logo 内容格式如下：

POWER-XTRA

侧唛：

条形码格式为：GS1(EAN.UCC)/ENA-13 Bar code，侧唛分别贴于纸箱两侧（尺寸视纸箱尺寸更改），内容及格式如下：

PO NO.	Order 16-8	← 根据每次订单更改
MODEL NO.	900.600.503.137	
QTY	500PCS	← 根据每箱数量更改
DATE	YYYY-MM-DD	← 根据出货日期更改
Made in China		
		
8 680187 001513		

4.4 Picture

