

### PX1000AAHT - 1.2V 1000 Mah AA Ni-Cd Battery

Stock Code  
900.600.503.125

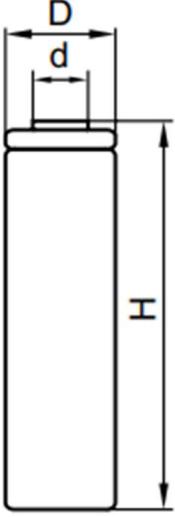
#### SPECIFICATIONS OF SINGLE CELL

Type Nickel-Cadmium / Ni-Cd  
Model AA/ 1000 mAh

#### TECHNICAL INFORMATIONS

Item	Specifications	Conditions
Nominal Voltage	1.2V	
Nominal Capacity	1.050 mAh	Standard Charge/Discharge
Minimum Capacity	1.000 mAh	
Standard Charge	100 mA (0.1C) × 16 hrs	Ambient temperature of 20±5°C, Relative Humidity: 65±20%
Standard Discharge	200mA (0.2C)	to 1.0V/cell / -20°C to 60°C
Rapid Charge	500mA for 2.6 hours	-delta V controlled: 15mV/cell cut-off dT/dt controlled: 1°C per min
Trickle Charge	30mA to 50mA.	Ta=0 ~ 45°C
Fast Discharge	1.000mA to 1.0V	10°C to 40°C
Maximum Continuous Discharge Current	<b>3.000mA</b>	<b>3C</b>
Storage Temperature	-20 °C ~ 35°C	Discharged state
Weight	21gr. / approx.	
Open Circuit Voltage(OCV)	≥1.25V	Within 1hr after standard charge
Internal Impedance	≤35mΩ	The initial internal resistance is measured at 1KHz within 1-4 hours after standard charge.
Overcharge	No leakage nor explosion	The overcharge test is measured with a discharge current of 0.2C and a discharge final voltage of 1.0V/cell within 1-4 hours after charging for 28 days at a current of 0.1C. Check cell appearance after overcharge.
Charge Retention	≥200mAh	After standard charge and storage time of 28 days at an ambient temperature of 20°C±2°C, the capacity is measured with a discharging current of 0.2C and a discharge final voltage of 1.0V
Cycles Test	≥500 Cycle	IEC61951-2:2003

## TECHNICAL DRAWINGS

Item	Specifications	Drawings
Diameter	14.5 +0 / -1.0 mm	
Height	50.5 +0 / -1.5 mm	
High Top	1.0 +0 / -1.5 mm	
<b>IMAGE</b>		
