



Model : Power-Xtra CR2450 2 Pins Lithium Battery    Ver:A2    NO: 900.600.503.119

---

## PX-CR2450-1F5 Battery Spec

**Model:** PX-CR2450-1F5

**Stock Code:** 900.600.503.119

**Cell Type:** CR2450-1F5

**Nominal Voltage:** 3.0V

**Capacity:** 560mAh

Draft	To examine	Approved	Customer Confirmation
Dora	Peter		

# POWER-XTRA

Model : Power-Xtra CR2450 2 Pins Lithium Battery Ver:A2 NO: 900.600.503.119

## 1. Basic Information

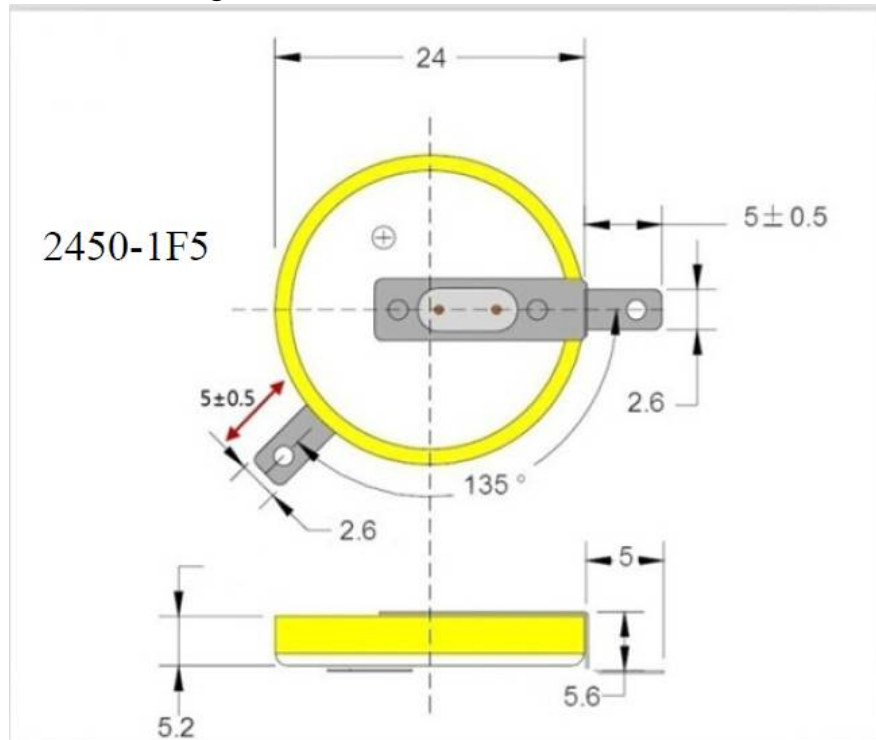
Cell Type: CR2450-1F5 (Made in China)  
Cell configuration: 1P1S  
Voltage Nominal: 3.0V  
Capacity Nominal: 560mAh(Discharge load 7.5kΩ, Temperature 20±2°C.)

## 2. Mechanical Drawings

### 2.1. Sample Picture

T.B.D.

### 2.2. Drawing of Outline



Battery cell/	CR2450-1F5
PVC /color	Yellow
Weld spot	2 spots per pole
Thickness of tab	Existing
Inner packing	B: Sealed thermal shrinkage; Each box labeled quantity

# POWER-XTRA

Model : Power-Xtra CR2450 2 Pins Lithium Battery Ver:A2 NO: 900.600.503.119

### 3. Drawing Packing

内置防潮袋，每箱不超 10KG，贴侧唛；客户定制 Logo 外箱；外箱 Logo 内容格式如下：



侧唛：

条形码格式为：GS1(EAN.UCC)/ENA-13 Bar code，侧唛分别贴于纸箱两侧（尺寸视纸箱尺寸更改），内容及格式如下：

PO NO.	Order 17-9	← 根据每次订单更改
MODEL NO.	900.600.503.119	
QTY	500PCS	← 根据每箱数量更改
DATE	YYYY-MM-DD	← 根据出货日期更改
Made in China		
		
8 680187 001360		

### 4. Pictures

