

POWER-XTRA

Model :Power-Xtra CR2032 (73) with 3 pins 3V Lithium Battery (Vertical) Ver:1.0 NO: 900.600.503.042

PX-CR2032-1GV Battery Spec 电池规格书

Model :
型号: PX-CR2032-1GV

Customer P/N:
客户型号: 900.600.503.042

Cell Type :
电芯: CR2032

Nominal Voltage:
标称电压: 3.0V

Capacity:
容量: 210mAh

Draft 起草	Approved 批准	Customer Confirmation 客户确认
Peter	Chun Qi Zeng	

POWER-XTRA

Model :Power-Xtra CR2032 (73) with 3 pins 3V Lithium Battery (Vertical) Ver:1.0 NO: 900.600.503.042

1. Basic Information 基本信息

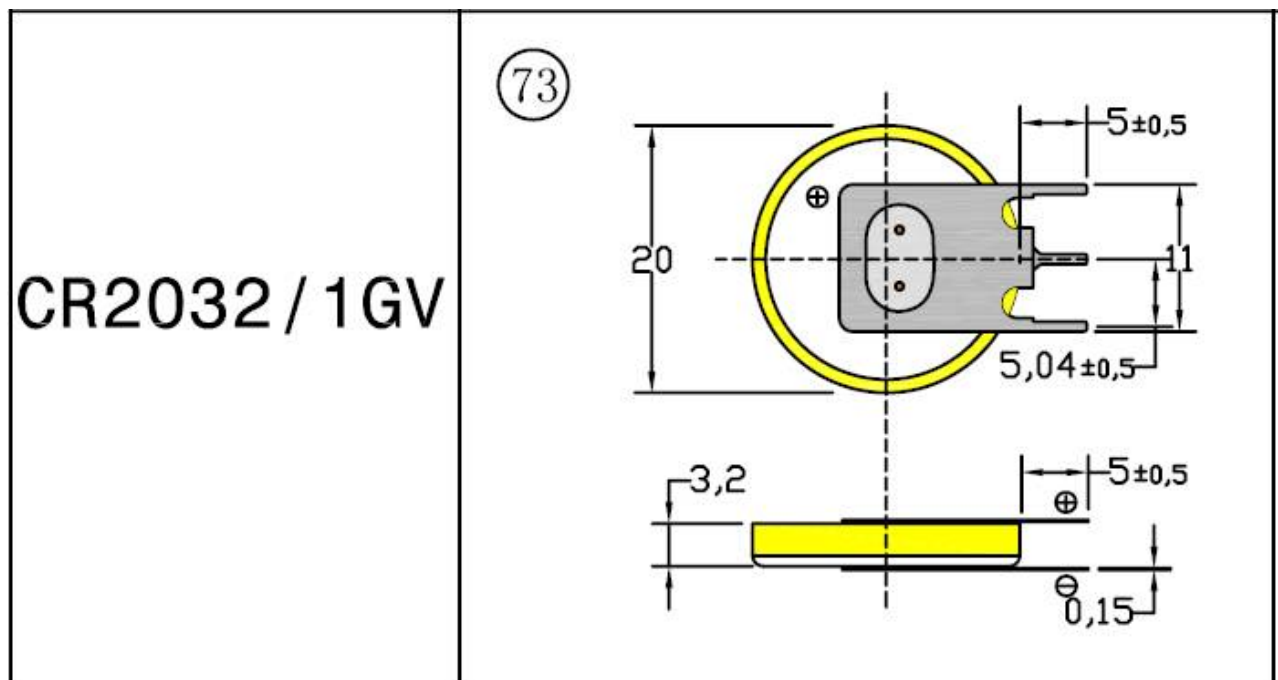
Cell Type 电芯: CR2032 (Made in China)
Cell configuration 电芯配置: 1P1S 一并一串
Voltage Nominal 标称电压: 3.0V
Capacity Nominal 标称容量: 210mAh(Discharge load 7.5kΩ, Temperature 20±2°C.)

2. Mechanical Drawings 结构图

4.1. Sample Picture 样品照



4.2. Drawing of Outline 外框图



POWER-XTRA

Model :Power-Xtra CR2032 (73) with 3 pins 3V Lithium Battery (Vertical) Ver:1.0 NO: 900.600.503.042

Battery cell/电芯	CR2032
PVC 颜色 /color	Yellow/黄色
Weld spot/焊点数量	2 spots per pole/正/负极各 2 点
Thickness of tab/焊片厚度	Existing /现有焊片
Inner packing/ 内包装标准	Sealed thermal shrinkage; Each box labeled quantity/加纸板，密封热缩；每包/箱标签注明数量

3. Packing 包装

每箱不超 10KG；定制纸箱或中性纸箱，贴箱唛；

箱唛格式如下：

唛头

贴于纸箱正/背两面，唛头尺寸 200*70mm（唛头尺寸视情况而定）：



侧唛

贴于纸箱正/背两侧，侧唛尺寸 130*100mm（侧唛尺寸视情况而定）：

PO NO.	order 16-8	根据每次订单而更改
MODEL NO.	900.600.503.042	
QTY	500PCS	根据每箱数量而定
DATE	2016-07-20	根据出货日期而更改
Made in China		

标签尺寸10*13CM（按情况而定）每箱两面侧面都要贴

