

# POWER-XTRA

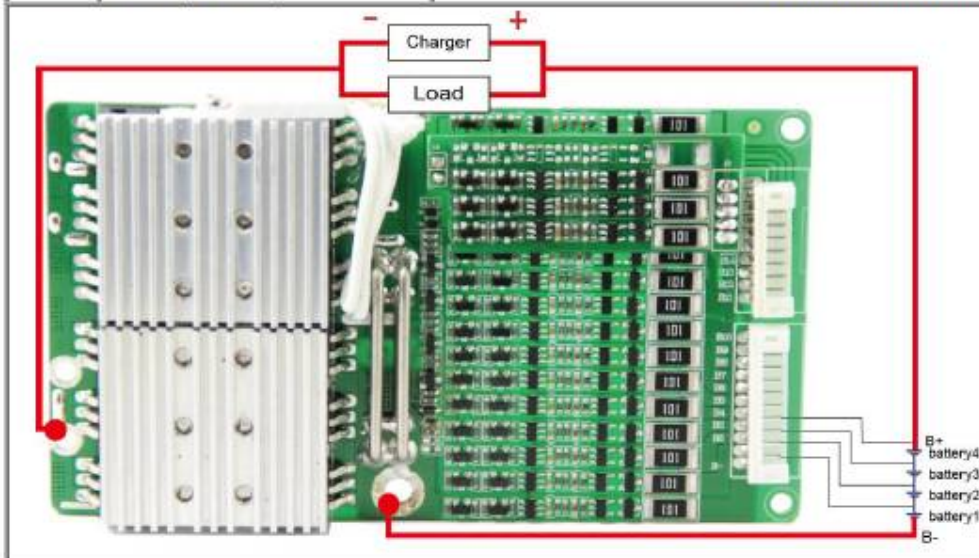
Model: Power-Xtra LiFePo4 PCM 12.8V (4 Cell) 35A \_PXD167

## Data Sheet

Item	Contents		Criteria (Adjustable)
1	Model		4S-35A working current
2	Voltage	Charging voltage	14.4V
3	Current	Maximal continuous charging current	35A
		Maximal continuous discharging current	35A
		Current consumption	≤50μA
4	Overcharge Protection	Over charge detection voltage	3.90V±0.025V
		Over charge detection delay time	0.5~2S
		Over charge release voltage	3.80V±0.05V
5	Over Discharge Protection	Over discharge detection voltage	2.00V±0.05V
		Over discharge detection delay time	50~200mS
		Over discharge release voltage	2.30V±0.1V
6	Over Current Protection	Over current detection voltage	0.1V~0.2V
		Over current detection current	70A±10A
		Detection delay time	5~20mS
		Release condition	Cut load,automatically recover
7	Short Circuit Protection	Detection condition	Exterior shot circuit
		Detection delay time	200~500uS
		Release condition	Cut load,automatically recover
8	Balance	Balance voltage for single cell	3.60V±0.025V
		Balance current for single cell	72mA±10mA
9	Resistance	Inner resistance	≤20mΩ
10	Temperature	Operating temperature range	0~+85°C
		Storage temperature range	0~+85°C
11	Size (L*W*T)	L115mm*W65mm*T13mm	

### Remarks:

Charge,Discharge at same Port  
 P+=B+/Charge+/Discharge+  
 P-=Charge-/Discharge-



\*Note:Characteristics subject to change without notice.