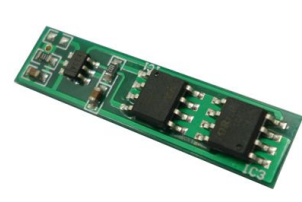


## Data Sheet

Products Name:	Battery PCM/BMS/PCB for 1S 3.7V Li-ion/Li-Polymer Battery (Packs)	
Manufacturer Part Number:	HCX-D079	
Dimension:	L29.0*W7.0*T 0.8(mm)	

### 1.Features

This protection circuit is specially designed for 3.7V Li-ion/Li-Polymer Battery;  
 To prevent batteries from over charge,over discharge,over current,short circuit.

### 2.Main Component:

R5402N163KD

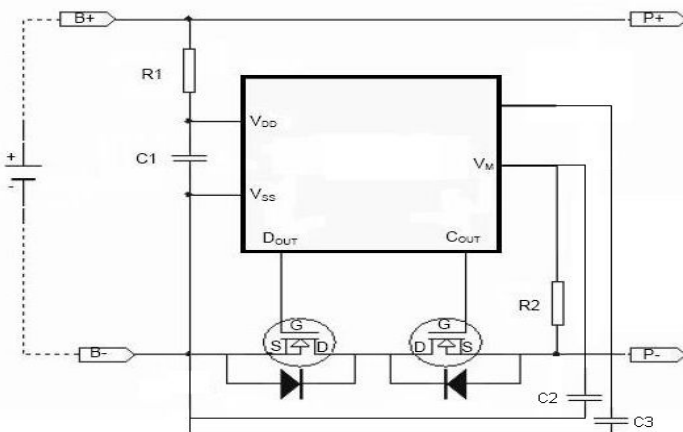
### 3.Parameters and Specification:

Item	Content	Criterion
1	over charge protection voltage	4.28±0.025V
2	over charge recovery voltage	4.10±0.05V
3	over charge protection delay time	700ms-1300ms
4	over discharge protection voltage	3.00±0.075V
5	over discharge recovery voltage	3.2±0.08V
6	over discharge protection delay time	18ms-26ms
7	over current protection current	6~12 A
8	short protection delay time	150-500us
9	static self-consumption current	I < 8.0uA
10	PCB internal resistance	≤30mΩ

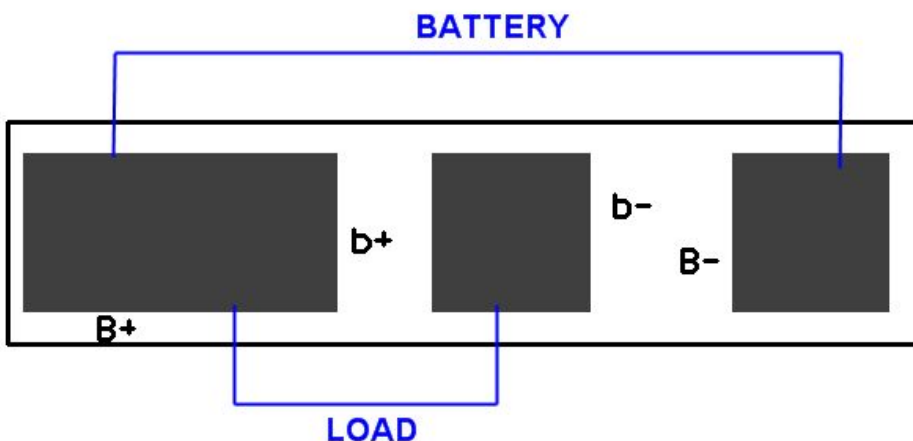
## 4.BOM List

No.	Position	Name	Components	Quantity
1	IC2	IC	R5402N163KD SOT-23-6	1
2	IC1 C3	MOS	IRF7832 SO-8	2
3	R1	SMD resistor	330R 5% 1/16W 0603	1
4	R2	SMD resistor	1K 5% 1/16W 0603	1
5	C1 C2	SMD capacitor	0.1uF 20% 25V 0603	2
6	C3			
7		PCB	29.0*7.0*0.8mm	1

## 5.Schematic Diagram



## 6.Connection Instructions:



\*Note: Characteristics subject to change without notice.