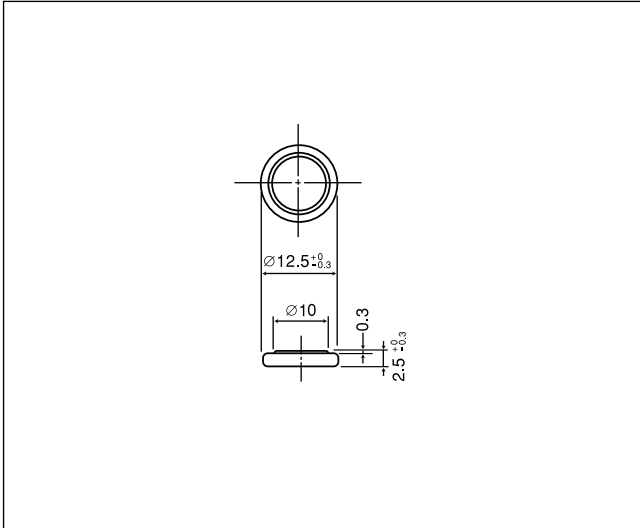


BR1225A/ **

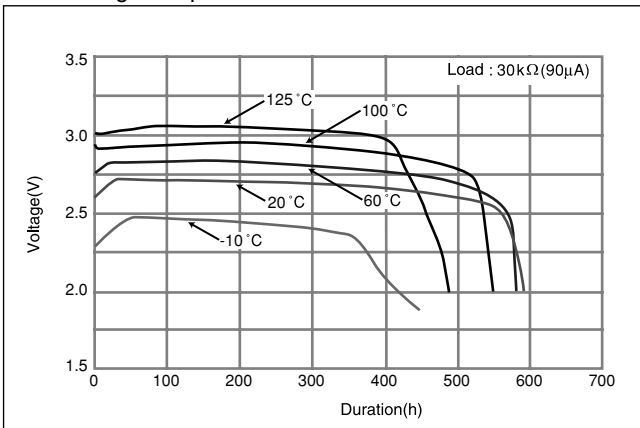
■ Dimensions(mm)



■ Specification

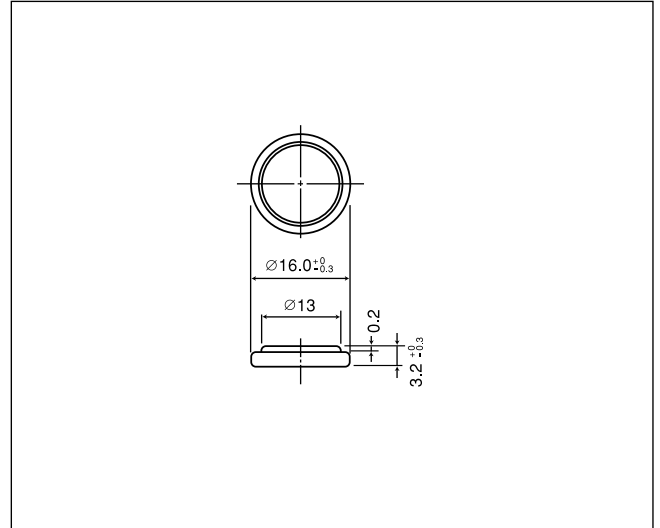
Nominal voltage(V)	3
Nominal capacity(mAh)	48
Continuous drain(mA)	0.03
Operating temperature(°C)	-40 to +125

■ Discharge temperature characteristics



BR1632A/ **

■ Dimensions(mm)



■ Specification

Nominal voltage(V)	3
Nominal capacity(mAh)	120
Continuous drain(mA)	0.03
Operating temperature(°C)	-40 to +125

■ Discharge temperature characteristics

