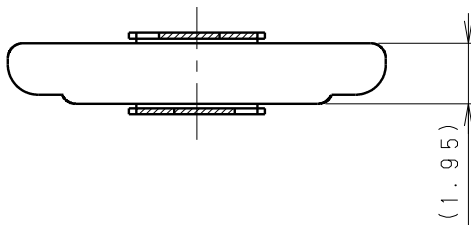
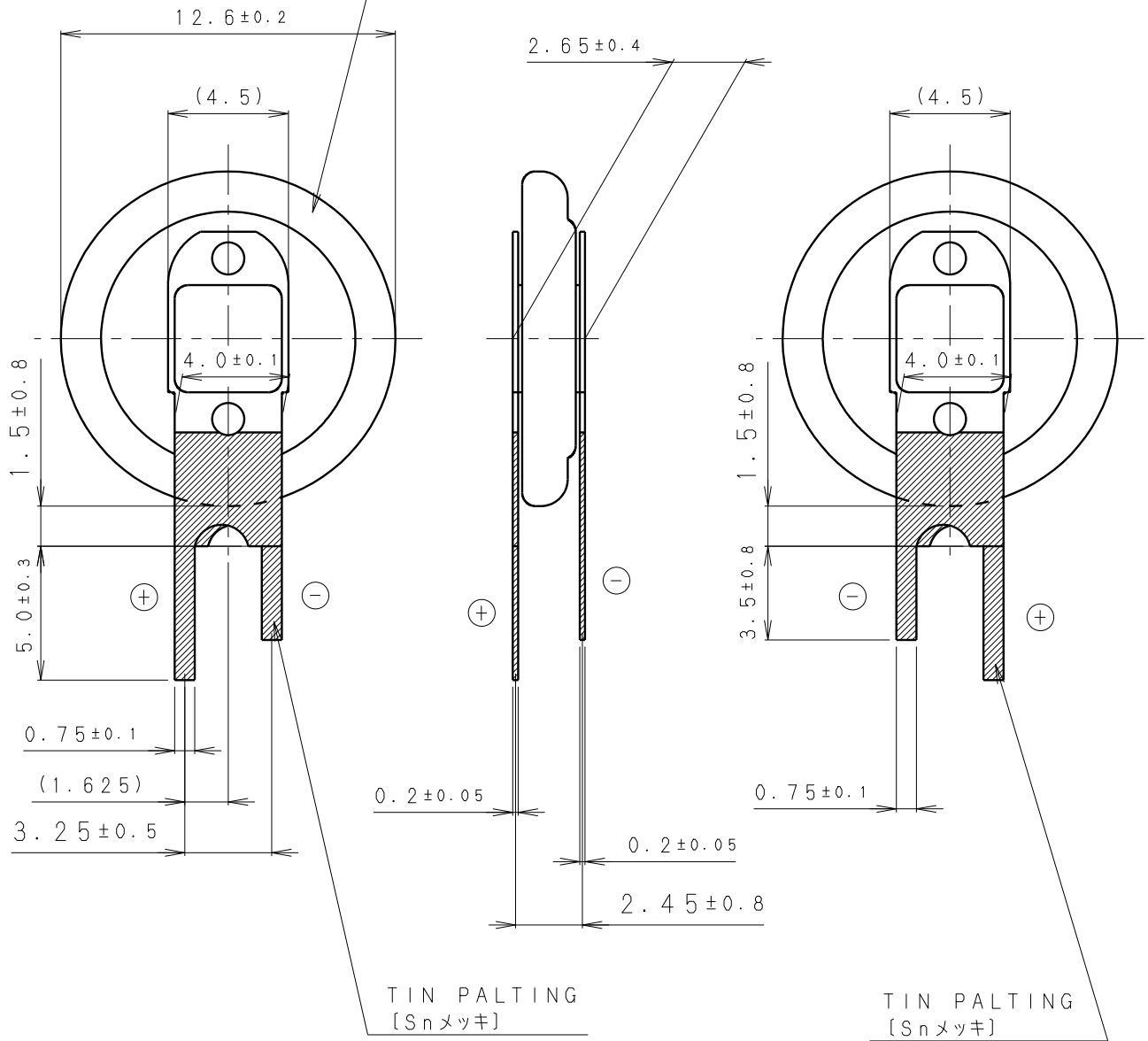


INSULATOR (BROWN)  
 [絶縁チューブ\* (茶色)]



\* NOTE [注記]

- TAB PULLING STRENGTH OVER 19.6N  
 [端子溶接強度: 19.6N以上]
- TAB MATERIAL: STAINLESS STEEL WITH TIN PLATING  
 [端子材料: 基材 ステンレス/表面 部分Snメッキ]
- ( ): REFERENCE DIMENSION AND ANGLE  
 [ ( ) 寸法、角度は参考値]

PRODUCT NO.	VL-1220/VCN	SCALE	
		4:1	
DRAWING NO.	JEVA1Z	REV.	 UNIT: mm
		0	