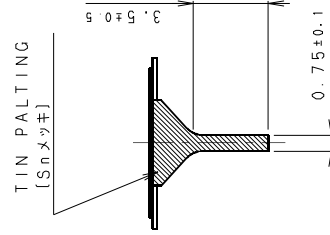
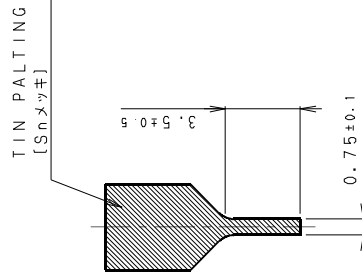
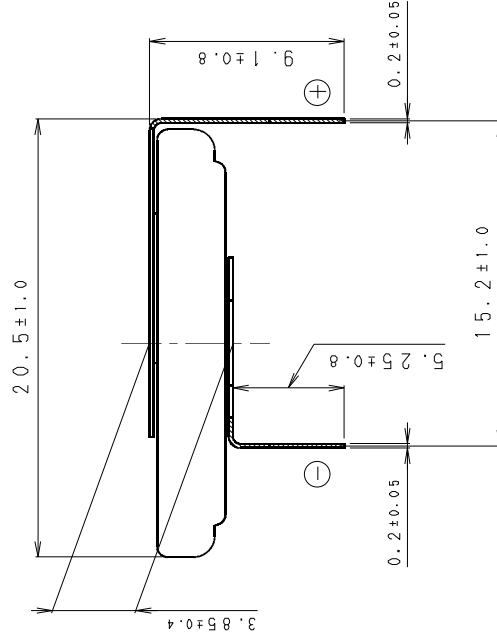
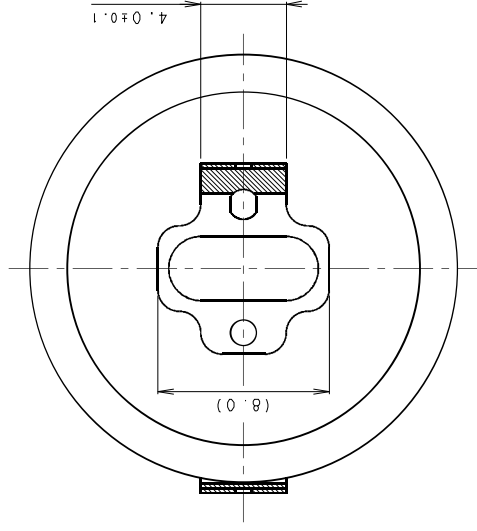
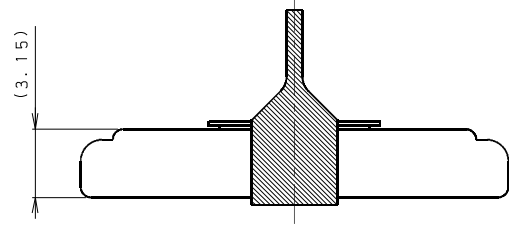
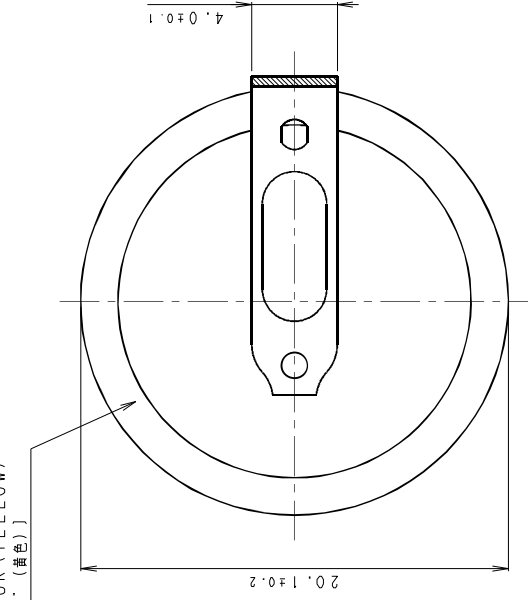


INSULATOR (YELLOW)
[絶縁チューブ・(黄色)]



※ NOTE (注記)

1. TAB PULLING STRENGTH OVER 19.6N (端子活線強度: 19.6N以上)
2. TAB MATERIAL: STAINLESS STEEL WITH TIN PLATING
[端子材料: 素材 ステンレス/表面 部分Snメッキ]
3. (): REFERENCE DIMENSION AND ANGLE (() 寸法、角度は参考値)

PRODUCT NO.	CR-2032/HSN	SCALE	4:1
DRAWING NO.	PMHJ1Z	REV.	0
		UNIT: mm	